



Pioneer™ Balances
Instruction Manual

Balanzas Pioneer™
Manual de Instrucciones

Balances Pioneer™
Guide de l'utilisateur

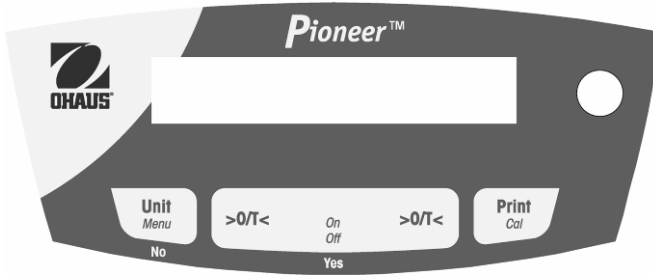
1. INTRODUCTION

1.1 Safety Precautions

Please follow these safety precautions:

- Verify that the AC Adapter input voltage matches the local AC power supply.
- Use the balance only in dry locations.
- Do not operate the balance in hostile environments.
- Do not drop loads on the platform.
- Do not place the balance upside down on the platform or platform mounting cone.
- Service should be performed only by authorized personnel.

1.2 Controls



Button:	Functions:	
O/T - On	Short Press:	Turns balance on, sets display to zero
Off	Long Press:	Turns balance off
Yes	Short press (Menu):	Selects or accepts setting
Unit	Short Press:	Steps through active units and modes
Menu	Long Press:	Enters Menu
No	Short press (Menu):	Steps through available settings
	Long press (Menu):	Exit menu or abort out of menu item
Print	Short Press:	Sends data
Cal	Long Press:	Initiates Span Calibration

2. INSTALLATION

2.1 Package Contents

0.1g and 0.01g Models

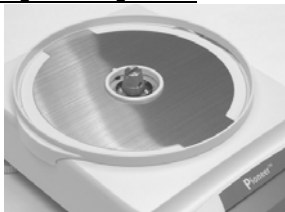
Instruction Manual
 Power Adapter
 Balance
 Pan
 Pan Support
 Wind-Ring (InCal models only)
 Warranty Card

0.001g and 0.0001g Models

Instruction Manual
 Power Adapter
 Balance
 Pan
 Glass Doors and Panels
 Warranty Card

2.2 Install Components

0.1g and 0.01g Models



1) Install Wind-Ring (InCal only)



2) Install Pan Support

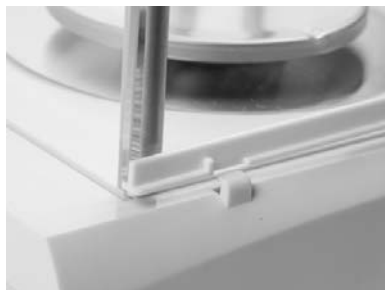


3) Install Pan

0.001g and 0.0001g Models



1) Install Side Doors - Insert fully into Top Frame then down over retainer.



2) Install Front and Rear Panels - Insert bottom edge in groove then press until locked.



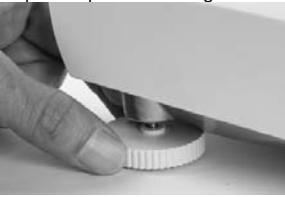
3) Install Top Door



4) Install Pan

2.3 Level Balance

Level the balance on a firm, steady surface. Avoid locations with excessive air current, vibrations, heat sources or rapid temperature changes.



2.4 Connect Power



For use with CSA Certified (or equivalent approved) power source, which must have a limited circuit output.

2.5 Initial Calibration

Without InCal - Power on the balance by pressing **0/T**. Press and hold **Print/Cal** until [**CAL**] is displayed. The display flashes the calibration mass needed. To select the alternate calibration weight press **No**. Put the calibration mass on the pan. The display flashes [**BUSY**], then [**CLEAR PRN**]. Remove the mass. When calibration is complete, [**DONE**] is displayed.

InCal - Press and hold **Print/Cal** until [**CAL**] is displayed. The display flashes [**BUSY**], when calibration is complete, [**DONE**] is displayed

Note: Calibrations should be performed after a warm up time of 60 minutes.

3. OPERATION

Count, Percentage or specific units of measure must be activated in the MODE or UNIT menus if they are not initially available.

3.1 Weighing Mode

Repeatedly press **Unit** until the desired unit icon is displayed.

Press **0/T** to zero the balance and then place objects to be weighed on the pan.

3.2 Count Mode - Use the Count mode to count parts of uniform weight.

To access Count Mode, press **Unit** until the display shows [**Count**].

Establish an Average Piece Weight (APW) - Each time a new type of part is to be counted, the nominal weight of one piece (APW) must be established using a small quantity of pieces.

With [**CLr.APWd**] displayed, press **No** to use the previously saved APW, or press **Yes** to establish a new APW. The display indicates the number of pieces to be used to establish the new APW. If a different sample size is preferred, press **No** until the desired sample size is displayed (5, 10, 20, 50 or 100). Put the specified number of pieces on the pan. Press **Yes** to accept new APW or **No** to abort.

Count - Place the quantity to be counted on the pan.

APW Optimization - Since the weight of each piece varies slightly, APW Optimization may be used to increase the accuracy of the count. The balance automatically recalculates the Average Piece Weight when the number

of parts on the pan is less than three times the original sample size. The display shows [APWJ.OPT] each time the APW is optimized.

3.3 Percent Mode - Use this mode to measure the weight of a sample as a percentage of a reference weight.

To access the Percent Mode, press **Unit** until the display shows [PERCENT].

Establish a new Reference Weight - With Clear reference [CLr.rEF] displayed, Press **No** to use the previously saved Reference Weight. Press **Yes** to establish a new Reference Weight. Put the reference sample on the pan and press **Yes** to accept or **No** to abort.

Percent - Place the object(s) to be compared to the reference weight on the pan.

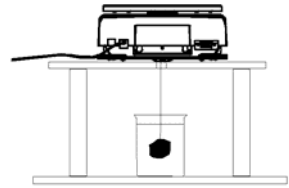
3.4 Weigh Below Feature



Remove Weigh Below Cover



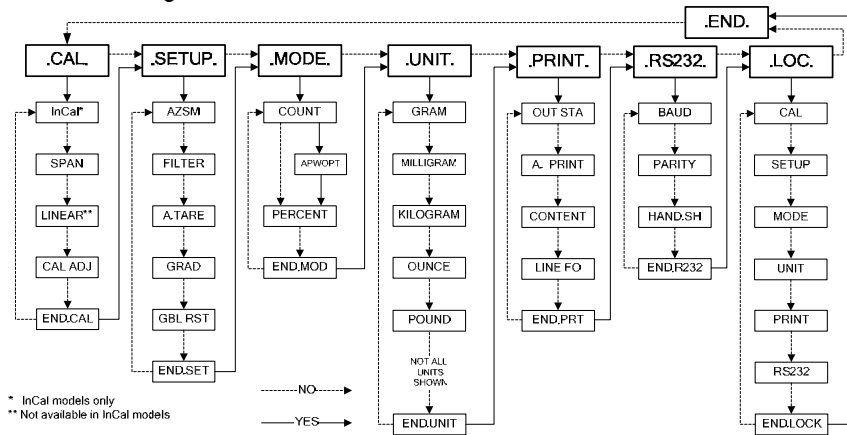
Attach wire or string to Hook



Suspend sample

4. SETTINGS

4.1 Menu Navigation



ENTER MENU - When the balance is on, press and hold **Unit/Menu** until [MENU] appears. Release the button and the Calibrate [.CAL.] menu will display.

MENU NAVIGATION - Select menus, menu items and settings through use of the **Yes** and **No** buttons. Solid arrows point to the content displayed when **Yes** is pressed, Dashed lines when **No** is pressed.

CHANGE SETTINGS - To select the displayed Setting, press **Yes**. To move to the next Setting, press **No**.

EXIT MENU - When [.End.] is displayed, press **Yes** to exit the menu function, or press **No** to return to the Cal menu. Note: Press and hold **No** at any time to exit quickly.

4.2 Calibration Menu [CAL.]

InCal or Span calibration should be performed daily and when the room temperature changes.

InCal [InCAL] calibrates the balance using an internal mass.

Span Calibration [SPAN] uses two weight values: zero and a weight between 50% and 100% of the capacity of the balance.

Linearity calibration [L IN] uses three weight values zero, 50% of capacity and full capacity. Generally this calibration is not required unless testing shows that the linearity error exceeds the Linearity tolerance in the Specification table. (Not available in InCal models)

Calibration Adjust [CAL Adj] allows adjustment to the result of the internal calibration by +/- 99 divisions. (InCal models only)

4.3 Setup Menu [SETUP.]

Automatic Zero-Setting [AZSM] - Environmental changes can cause the display to drift. The Automatic Zero-Setting Mechanism (AZSM) is designed to keep the balance set at zero, despite these slight changes. (OFF, SET .5d, SET 1d, SET 2d, SET 5d)

Filter [FILTER] - Use the low setting (SET LO) when environmental disturbances are not present. Use the medium setting (SET MED) for normal environments. Use the high setting (SET HI) when vibrations or air currents are present.

Auto Tare [ATARE] - The initial item placed on the balance is assumed to be a container so it is zeroed out. The next item is then weighed. When the pan is cleared the balance resets, waiting for a container. (SET OFF, SET ON)

Grad [GRAD] - Select the readability displayed. Reducing the readability may be needed for approval. (SET 1d, SET [1]d, SET 10d)

Global Reset [Gbl rSt] - Resets all settings to factory default values. (RESET)

4.4 Mode Menu [Mode.]

Count Mode [Count] - [SET ON, SET OFF]

Average Piece Weight (APW) Optimization [APW.OPT] - (SET ON, SET OFF)

Percent Mode [PERCENT] - (SET ON, SET OFF)

4.5 Unit Menu [Unit.]

The Unit menu is used to enable or disable a specific unit. (SET ON, SET OFF) The unit is indicated by a small character next to Unit in the display (g = grams). The default setting is Grams on and all other units off.

T-Units - When unit [t] displays; press **Yes** to show the T-Unit settings; SET OFF, SET TT (Taiwan Tael), SET TH (Hong Kong Tael), SET TS (Singapore Tael), SET TO (Tola) or SET TI (Tical).

M-Units - When unit [m] is displayed, press **Yes** to show the M-Unit settings; SET OFF, SET MO (Momme) or SET ME (Mesghal).

Custom Unit - Custom Unit (c) is used to create a unit of measure not provided with the balance. The Custom Unit is defined by a factor, a multiplier (E) and a least significant digit (LSD). The balance will use this to convert grams to a custom unit of measure. (Example: 1 g = 0.257206 Avoirdupois Dram, 4100g x 0.01g balance)

To create a custom unit, press **Yes** when unit [C] is displayed.

Factor - The Factor (F) is a value from 0.1000000 to 1.9999999. When the Factor is displayed, the first digit is flashing. Press **Yes** to accept its value and activate the next digit, or **No** to edit. When editing, press **No** until the desired value appears, then press **Yes** to accept. Repeat until all digits have been accepted. When the Factor flashes on the display, press **Yes** to accept or **No** to re-edit. (Example: F = 0.257206)

E (Multiplier) - The settings are, [E 0] (Fx1), [E 1] (Fx10), [E 2] (Fx100), [E 3] (Fx1000), [E -3] (F/1000), [E -2] (F/100), and [E -1] (F/10). Press **No** to display the next setting, **Yes** to accept. (Example: E = 0) Note: The multiplier selections are limited when the capacity in grams is exceeded.

LSD - The Least Significant Digit (LSD) is the number of displayed divisions (d) by which the weight is incremented. The values are 1d, 2d, 5d, 10d, 100d or 0.5d. Press **No** to go to the next setting, press **Yes** to accept. (Example LSD = 1d) Note: LSD options are limited if the readability in grams is exceeded.

The example custom unit will display [0.26 c] when 1g is placed on the pan.

4.6 Print Menu [.Print.]

Output Stable [OutputStable] - Data will only be sent when the Stable indicator is on. This setting works with manual button pressing or continuous and interval Auto Print. (SET ON, SET OFF)

Auto Print [AutoPrint] - Data will be continuously sent when [Content] is set. Interval [Interval] sends data every 1 to 3600 seconds. When Stable [Stable] will send data when the balance detects a new stable reading. This can be a weight value only [Load] or it can also include a stable zero [Zero]. [OFF] disables automatic printing.

Content [Content] - The content in the data transmission can be modified. Each of the following settings can be set on or off. Number Only [Number] will only send the numeric result. Balance ID [Balance ID] will add the Balance serial number for traceability purposes. Reference [Reference] will add reference information relevant to the current mode. GLP [GLP] will send additional items to allow proper documentation of laboratory results.

Line Format [LineFormat] - Single line format [Single] will put all the data in one line separating each output with a comma (.). Multi line format [Multi] will put each data output on a new line. Multi +4 [Multi+4] will add 4 line spaces between each output.

<pre> ^.....^ User ID: Bal ID: 123456789 Proj ID: Time::.....:..... Date:/...../..... 120.01 g ^.....^ </pre>	<ul style="list-style-type: none"> ___ Multi Line Format with 4 line feeds ___ Line Feed-2 ___ Line Feed-3 ___ Line Feed-4 ___ GLP (ON) ___ Balance ID (ON) ___ GLP (ON) ___ GLP (ON) ___ GLP (ON) ___ Result
---	---

4.7 RS232 Menu [.RS232.]

Baud [Baud] - The RS232 baud rate can be set to 600, 1200, 2400, 4800, 9600 and 19200.

Parity [Parity] - Parity can be sent to 7 bits-even parity [Even], 7bits-odd parity [Odd], 7bits-no parity [No] or 8bit-no parity [8No].

Handshake [HandShake] - Handshake can be set to off [Set Off], X on – X off [on-off], or hardware [Hardware].

4.8 Lock Menu [.LOC.]

When a Lock Menu item is set on the indicated menu cannot be changed.

[Loc Cal] - Calibration, [Loc Set] - Setup, [Loc Mode] - Mode, [Loc Unit] - Unit, [Loc Print] - Print, [Loc RS232] - RS232

4.9 Sealing Access to the Balance Settings

The Menu Lock switch prevents changes to the Lock Menu. The switch can be secured using paper seals, wire seals or plastic ties.



Un-Locked



Locked with Plastic Tie

5.0 MAINTENANCE

5.1 Troubleshooting

Symptom	Possible Cause	Remedy
Cannot turn on	No power to balance	Verify connections and voltage
Poor accuracy	Improper calibration Unstable environment	Perform calibration Move balance to suitable location
Cannot calibrate	Unstable environment Incorrect calibration masses	Move the balance to suitable location Use correct calibration masses
Cannot access mode	Mode not enabled	Enter menu and enable mode
Cannot access unit	Units not enabled	Enter menu and enable units
Err 5	Average Piece Weight too small	Add additional samples
Err 7.0	Time out	
Err 8.1	Pan has load during power on	Remove weight from pan and re-zero
Err 8.2	Pan was removed prior to power on	Install pan and re-zero
Err 8.3	Weight on pan exceeds capacity	Remove weight from the pan
Err 8.4	Pan was removed during weighing	Re-install pan
Err 9.5	Factory calibration data corrupted	Contact the authorized dealer
Err 9.8	Factory calibration data corrupted	Perform calibration
Error 53	EEPROM Checksum error	Contact the authorized dealer
REF Err	Reference Weight is too small	Add additional samples
LOWREF	Reference Weight is too low for accurate parts counting or percent weighing	Add additional samples or continue to weigh with less accurate results

5.2 Service Information

If the troubleshooting section does not resolve or describe your problem, contact your authorized Ohaus service agent. For service assistance or technical support in the United States call toll-free 1-800-526-0659 between 8:00 AM and 5:00 PM EST. An Ohaus product service specialist will be available to provide assistance. Outside the USA, please visit our web site, www.ohaus.com to locate the Ohaus office nearest you.

5.3 Accessories

Security device	76288-01	
Auxiliary Display	PAD7	
Density Determination Kit	80850045	(0.1mg and 1mg models only)
Printer – Thermal	STP-103	
Printer - Impact	CBM-910	
Cable Kit - STP-103	80252581	
Cable Kit - CBM-910	80252571	
Data collection Software	SW12	

6. TECHNICAL DATA

Ambient conditions - The technical data is valid under the following ambient conditions:

Ambient temperature: 10°C to 30°C

Relative humidity: 15 % to 80 % at 31°C non-condensing, decreasing linearly to 50% at 40°C

Height above sea level: Up to 2000 m

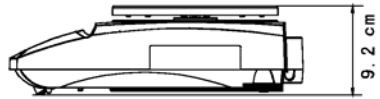
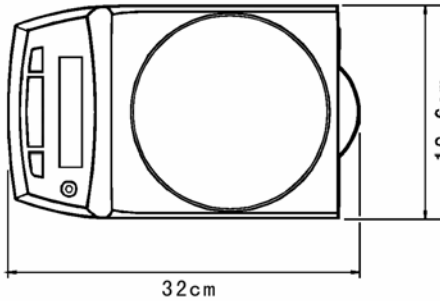
Operability is assured at ambient temperatures between 5°C and 40°C

Power - AC adapter, Balance power input 8-14.5 VAC, 50/60Hz 4VA or 8-20 VDC, 4W

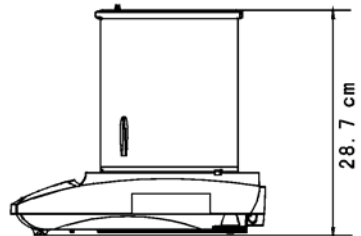
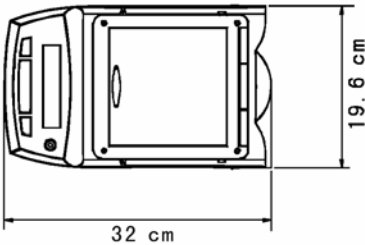
Protection - Protected against dust and water, Pollution degree: 2, Installation category: Class II

6.1 Drawings

0.01g and 0.1g Models



0.0001g and 0.001g Models



6.2 Specifications

*C= Internal calibration

MODEL	PA64*	PA114*	PA214*	PA153*	PA313*	PA512*	PA1502*	PA3102*	PA4101*
Capacity (g)	65	110	210	151	310	510	1510	3100	4100
Readability (g)	0.0001			0.001			0.01		0.1
Repeatability (g)	0.0001 (std. dev.)			0.001 (sd)			0.01 (std. dev.)		0.1sd
Linearity (g)	±0.0002			±0.002			±0.02		±0.2
Tare Range	To capacity by subtraction								
Stabilization	3 Seconds								
Span cal mass (g)	50 or 60	50 or 100	100 or 200	100 or 150	200 or 300	200 or 500	1000 or 1500	2000 or 3000	2000 or 4000
Lin. cal masses (g)	20, 50	50, 100	100, 200	100, 150	200, 300	200, 500	1000, 1500	2000, 3000	2000, 4000
Pan Diameter	3.5in / 9cm			4.7in / 12cm			7.1in / 18cm		
Net Weight	10.1lb / 4.6kg (*11.2lb/ 5.2kg)					10 lb/ 4.5 kg (*11.1lb / 5.1kg)			

6.3 Communication

6.3.1 Commands

The RS232 Interface allows a computer to control the balance as well as receiving data such as the displayed weight. The balance will return "ES" for invalid commands.

Command	Function
IP	Immediate Print of displayed weight.
P	Print displayed weight (uses stable on/off menu setting).
CP	Continuous Print.
xP	Interval Print x = Print Interval (1-3600 sec)
T	Same as pressing Zero Key.
ON	Turns balance ON.
OFF	Turns balance OFF.
PSN	Show Serial Number.
PV	Version: Print product name, software revision
PU	Print current mode/unit
x#	Set PC ref wt (x) in grams
P#	Print PC ref wt
x%	Set % ref wt (x) in grams
P%	Print % ref wt

6.3.2 RS232 (DB9) Pin Connections

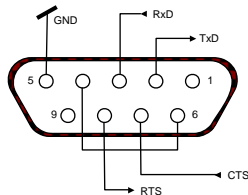
Pin 2: Balance transmit line (TxD)

Pin 3: Balance receive line (Rx/D)

Pin 5: Ground signal (GND)




Pin 7: Clear to send (hardware handshake) (CTS)

Pin 8: Request to send (hardware handshake) (RTS)



6.4 Compliance

Compliance to the following standards is indicated by the corresponding mark on the product.

Mark	Standard
	This product conforms to the EMC directive 2004/108/EC and the Low Voltage Directive 2006/95/EC. The complete declaration of Conformity is available from Ohaus Corporation
	AS/NZS4251.1 Emission; AS/NZS4252.1 Immunity
	CAN/CSA-C22.2 No. 1010.1-92; UL Std. No. 3101-1

ISO 9001 Registration

In 1994, Ohaus Corporation, USA, was awarded a certificate of registration to ISO 9001 by Bureau Veritus Quality International (BVQI), confirming that the Ohaus quality management system is compliant with the ISO 9001 standard's requirements. On May 15, 2003, Ohaus Corporation, USA, was re-registered to the ISO 9001:2000 standard.

This equipment has been tested and found to comply with the limits for a Class A digital device, pursuant to Part 15 of the FCC Rules. These limits are designed to provide reasonable protection against harmful interference when the equipment is operated in a commercial environment. This equipment generates, uses, and can radiate radio frequency energy and, if not installed and used in accordance with the instruction manual, may cause harmful interference to radio communications. Operation of this equipment in a residential area is likely to cause harmful interference in which case the user will be required to correct the interference at his own expense.

This Class A digital apparatus complies with Canadian ICES-003.

LIMITED WARRANTY

Ohaus products are warranted against defects in materials and workmanship from the date of delivery through the duration of the warranty period. During the warranty period Ohaus will repair, or, at its option, replace any component(s) that proves to be defective at no charge, provided that the product is returned, freight prepaid, to Ohaus.

This warranty does not apply if the product has been damaged by accident or misuse, exposed to radioactive or corrosive materials, has foreign material penetrating to the inside of the product, or as a result of service or modification by other than Ohaus. In lieu of a properly returned warranty registration card, the warranty period shall begin on the date of shipment to the authorized dealer. No other express or implied warranty is given by Ohaus Corporation. Ohaus Corporation shall not be liable for any consequential damages.

As warranty legislation differs from state to state and country to country, please contact Ohaus or your local Ohaus dealer for further details.

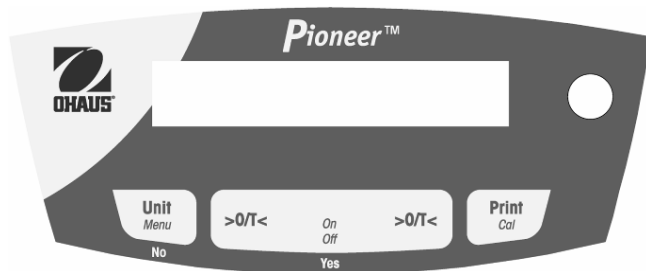
1. INTRODUCCIÓN

1.1 Precauciones de seguridad

Siga estas precauciones de seguridad:

- Verifique que el voltaje del adaptador de corriente alterna coincida con la alimentación eléctrica local.
- Use la balanza sólo en lugares secos.
- No opere la balanza en ambientes adversos.
- No deje caer cargas sobre la plataforma de pesaje.
- No coloque la balanza al revés sobre la plataforma o como de montaje para plataforma.
- El servicio debe proporcionarse solamente por personal autorizado.

1.2 Controles



Botón:	Funciones:	
O/T - On	Presión corta:	Enciende la balanza, pone la pantalla en cero
Off	Presión larga:	Apaga la balanza
Yes	Presión corta (Menu):	Selecciona o acepta la configuración
Unit	Presión corta:	Recorre las unidades y modos activos
Menu	Presión larga:	Ingresa al menú
No	Presión corta (Menu):	Recorre las configuraciones disponibles
	Presión larga (Menu):	Sale del menú o cancela el elemento del menú
Print	Presión corta:	Envía datos
Cal	Presión larga:	Inicia la calibración de extensión

2. INSTALACIÓN

2.1 Contenido del paquete

Modelos de 0.1g y 0.01g

Manual de instrucciones
 Adaptador de corriente
 Balanza
 Plato de pesaje
 Soporte del plato de pesaje
 Anillo de viento (sólo en modelos InCal)
 Tarjeta de garantía

Modelos de 0.001g y 0.0001g

Manual de instrucciones
 Adaptador de corriente
 Balanza
 Plato de pesaje
 Puertas y paneles de vidrio
 Tarjeta de garantía

2.2 Instalación de componentes

Modelos de 0.1g y 0.01g



1) Instale el Anillo de viento (sólo en modelos InCal)

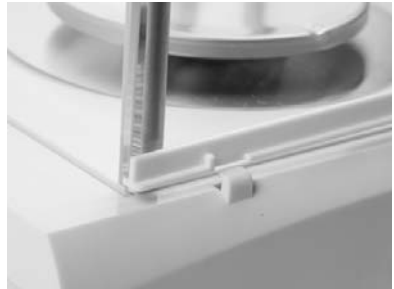


2) Instale el soporte del plato de pesaje



3) Instale el plato de pesaje

Modelos de 0.001g y 0.0001g



1) Instale las puertas laterales - Inserte completamente en el marco superior y después abaja sobre el sujetador.



2) Instale los paneles anterior y posterior - Inserte el lado inferior en la ranura y presione hasta que se aseguren.



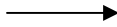
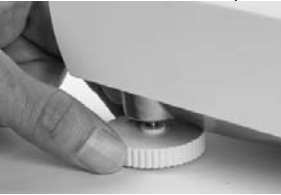
3) Instale la puerta superior



4) Instale el plato de pesaje

2.3 Nivelación de la balanza

Nivele la balanza sobre una superficie firme y estable. Evite lugares con exceso de corrientes de aire, vibraciones, fuentes de calor y cambios rápidos de temperatura.



2.4 Alimentación eléctrica



Debe usarse con una fuente de energía certificada por la CSA (o una aprobación equivalente), la cual debe tener una salida limitada de circuito.

2.5 Calibración inicial

Sin InCal - Encienda la báscula presionando **0/T**. Presione y mantenga **Print/Cal** hasta que aparezca [**CAL**]. La pantalla destella el peso de calibración necesario. Para seleccionar un peso de calibración alterno, presione **No**. Ponga el peso de calibración en el plato de pesaje. La pantalla destella [**bUSY**], y enseguida [**CLEAR PRN**]. Retire el peso. Cuando termina la calibración, aparece [**dONE**].

InCal - Presione y mantenga **Print/Cal** hasta que aparezca [**CAL**]. La pantalla destella [**bUSY**]. Cuando termina la calibración, aparece [**dONE**].

Nota: Calibraciones debe realizarse después de un tiempo de calentamiento de 60 minutos.

3. OPERACIÓN

Si Count (conteo), Percentage (porcentaje) o las unidades específicas de medida no están disponibles en un principio, deben activarse en los menús MODE o UNIT.

3.1 Modo de pesaje

Presione repetidamente **Unit** hasta que aparezca el icono deseado.

Presione **0/T** para poner la balanza en cero y entonces coloque los objetos para pesar en el plato de pesaje.

3.2 Modo de conteo (Count) - Use el modo de conteo para contar piezas que tengan un peso uniforme.

Para entrar en el modo de conteo, presione **Unit** hasta que la pantalla muestre [**Count**].

Establecer un peso de pieza promedio (APW) - Cada vez que se vaya a contar un tipo nuevo de pieza, se debe establecer el peso nominal de una pieza (APW) usando una cantidad pequeña de piezas.

Con [**CLR-APW**] en la pantalla, presione **No** para usar el APW guardado anteriormente, o presione **Yes** para establecer un nuevo APW. La pantalla indica el número de piezas que se van a usar para establecer el nuevo APW. Si se prefiere un tamaño de muestra diferente, presione **No** hasta que aparezca el tamaño de muestra deseado (5, 10, 20, 50 ó 100). Coloque el número de piezas especificadas sobre el plato de pesaje.

Presione **Yes** para aceptar el nuevo APW o **No** para cancelarlo.

Conteo - Coloque la cantidad que va a contar sobre el plato de pesaje.

Optimización del APW - Puesto que el peso de cada pieza varía ligeramente, la optimización del APW puede usarse para aumentar la exactitud del conteo. La balanza recalcula automáticamente el peso de pieza promedio cuando el número de piezas sobre el plato es menor de tres veces el tamaño de la muestra original. La pantalla muestra [APW.OPT] cada vez que se optimiza el APW.

3.3. Modo de porcentaje (Percent) - Use este método para medir el peso de una muestra como porcentaje del peso de referencia.

Para entrar en el modo de porcentaje, presione **Unit** hasta que la pantalla muestre [PERCENT].

Establezca un nuevo peso de referencia - Con borrar referencia [CLEAR] en la pantalla, presione **No** para usar el peso de referencia guardado anteriormente. Presione **Yes** para establecer un nuevo peso de referencia. Coloque la muestra de referencia sobre el plato y presione **Yes** para aceptar o **No** para cancelar.

Porcentaje - Coloque el objeto (u objetos) que va a comparar con el peso de referencia sobre el plato.

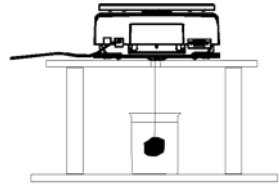
3.4 Función de pesaje por debajo



Retire la protección para pesaje por debajo



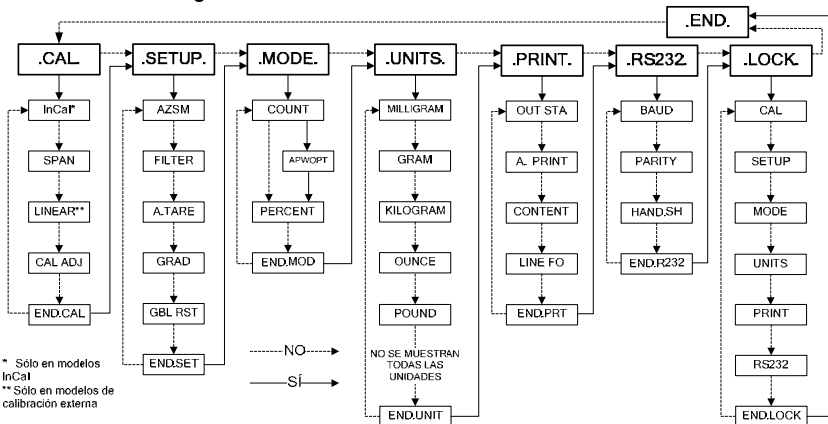
Ate un alambre o cuerda en el gancho



Suspenda la muestra

4. CONFIGURACIONES

4.1 Menú de navegación



INGRESO EN EL MENÚ - Cuando la balanza esté encendida, presione y mantenga **Unit/Menu** hasta que aparezca [MENU]. Suelte el botón y aparece el menú de calibración [.CAL].

NAVEGACIÓN EN EL MENÚ - Seleccione menús, elementos de menú y configuraciones mediante el uso de los botones **Yes** y **No**. Las flechas sólidas apuntan hacia el contenido mostrado cuando se presiona **Yes**, y las líneas punteadas cuando se presiona **No**.

CAMBIO DE CONFIGURACIONES - Para seleccionar la configuración mostrada, presione **Yes**. Para ir a la siguiente configuración, presione **No**.

SALIDA DEL MENÚ - Cuando aparezca **[.ENd.]**, presione **Yes** para salir de la función de menú, o presione **No** para regresar al menú de calibración. Nota: Presione y mantenga **No** en cualquier momento para salir rápidamente.

4.2 Menú de calibración **[.CAL.]**

InCal o la calibración de extensión debe realizarse diariamente y cuando cambia la temperatura ambiente.

InCal **[.InCAL.]** calibra la balanza mediante un peso interno.

La calibración de extensión **[SPAN]** usa dos valores de peso: cero y un peso entre el 50 y 100% de la capacidad de la balanza.

La calibración de linealidad **[L IN]** usa tres valores de peso, cero, 50% de la capacidad y la capacidad total. Generalmente esta calibración no es requerida a menos que la prueba indique que el error de linealidad excede la tolerancia de linealidad de la tabla de especificaciones. (Sólo en modelos de calibración externa.)

Ajuste de calibración (modelos InCal) **[CAL Adj]** El ajuste de calibración se puede utilizar para ajustar el resultado de la calibración interna por ± 99 divisiones.

4.3 Menú de configuración **[.SETUP.]**

Configuración de cero automático **[AZSM]** - Los cambios ambientales pueden hacer que la pantalla se desvíe. El diseño del mecanismo de configuración de cero automático (AZSM) mantiene el ajuste de la balanza en cero a pesar de esos pequeños cambios. (SET 0, SET .5d, SET 1d, SET 2d, SET 3d)

Filtro **[F.LtEr]** - Use la configuración baja (SET LOW) cuando no haya perturbaciones ambientales. Use la configuración media (SET MED) para ambientes normales. Use la configuración alta (SET HI) cuando haya vibraciones y corrientes de aire.

Tara automática **[A-LtEr]** - Se supone que el primer artículo que se coloca en la balanza es un recipiente, de manera que se pone en cero. El siguiente artículo se pesa. Cuando el plato queda libre, la balanza se restablece en espera de un recipiente. (SET OFF, SET ON)

Graduación **[GrAdj]** - Seleccione la capacidad de lectura mostrada. Puede ser necesario reducir la capacidad de lectura para aprobación. (SET 1d, SET [1]d, SET 10d)

Restauración completa **[Gbl rSt]** - Restablece todas las configuraciones a los valores predeterminados de fábrica. (NO, YES)

4.4 Modo de menú **[.ModE.]**

Modo de conteo **[Count]** - [SET ON, SET OFF]

Optimización del peso de pieza promedio (APW) **[APW.OPT]** - (SET ON, SET OFF)

Modo de porcentaje **[PercEnt]** - (SET ON, SET OFF)

4.5 Menú de unidades **[.Un .E.]**

El menú de unidades se utiliza para habilitar o inhabilitar una unidad de peso específica. (SET ON, SET OFF)

La unidad es indicada mediante un carácter pequeño junto a la unidad en la pantalla (g = gramos). La configuración predeterminada es gramos con todas las demás unidades inhabilitadas.

Unidades T - Cuando aparezca la unidad [T]; presione **Yes** para mostrar las configuraciones de la unidad T; SET OFF, SET TT (tael de Taiwán), SET TH (tael de Hong Kong), SET TS (tael de Singapur), SET TO (tola) o SET TI (fical).

Unidades M - Cuando aparezca la unidad [m], presione **Yes** para mostrar las configuraciones de la unidad M; SET OFF, SET MO (momme) o SET ME (mesghal).

Unidad personal del cliente - La unidad personal del cliente (c) se usa para crear una unidad de medida no proporcionada con la balanza. La unidad personal del cliente se define mediante un factor, un multiplicador (E) y por lo menos un dígito significativo (LSD). La balanza usará ésta para convertir gramos a una unidad de medida personal del cliente. Ejemplo: 1 g = 0.257206 Avoirdupois Dram, 4100g x 0.01g balanza
Para crear una unidad personal de cliente, presione **Yes** cuando aparezca la unidad [c].

Factor - El factor (F) es un valor de 0.1000000 a 1.999999. Cuando aparezca el factor, el primer dígito está destellando. Presione **Yes** para aceptar su valor y activar el siguiente dígito, o **No** para modificarlo. Cuando modifique, presione **No** hasta que aparezca el valor deseado, y entonces presione **Yes** para aceptar.

Repita hasta que haya aceptado todos los dígitos. Cuando el factor destelle en la pantalla, presione **Yes** para aceptarlo o **No** para modificarlo nuevamente. Ejemplo: F = 0.257206)

E (multiplicador)- Las configuraciones son, [**E 0**] (Fx1), [**E 1**] (Fx10), [**E 2**] (Fx100), [**E 3**] (Fx1000), [**E -3**] (F/1000), [**E -2**] (F/100) y [**E -1**] (F/10). Presione **No** para mostrar la siguiente configuración, o **Yes** para aceptar. Ejemplo: E = 0)

LSD - El dígito menos significativo (LSD) es el número de las divisiones mostradas (d) en razón del cual se incrementa el peso. Los valores son 1d, 2d, 5d, 10d, 100d o 0.5d. Presione **No** para ir a la siguiente configuración, o **Yes** para aceptar. (Ejemplo LSD = 1d) Nota: Las opciones del LSD pueden estar limitadas si la capacidad de lectura excede la capacidad de lectura en gramos.

La unidad personal del cliente de ejemplo aparece [**0.25 g**] cuando se coloque 1g en el plato de pesaje.

4.6 Menú de impresión [**.Pr int.**]

Salida estable [**Out.StAb**] - Los datos sólo se enviarán cuando el indicador de estable esté encendido. Esta configuración funciona con la presión manual del botón o continua, e impresión automática a intervalos. (SET ON, SET OFF)

Impresión automática [**Auto int.**] - Los datos se enviarán continuamente cuando se haya seleccionado [**Cont int.**]. Intervalo [**IntEr**] envía datos cada 1 a 3600 segundos. Cuando está en estable [**StAbLE**], se enviarán datos cuando la balanza detecte una nueva lectura estable. Esto puede ser sólo un valor de peso [**LOAd**] o también puede incluir un cero estable [**L-12Er0**]. [**OFF**] inhabilita la impresión automática.

Contenido [**ContEnt**] - El contenido en la transmisión de datos puede modificarse. Cada una de las siguientes configuraciones puede activarse o desactivarse. Sólo número [**numbEr**] sólo enviará el resultado numérico. Nombre de balanza [**bal. id**] agregará el número de serie de la balanza con fines de rastreabilidad.

Referencia [**refEr**] agregará información de referencia correspondiente al modo actual. GLP [**GLP**] enviará elementos adicionales para permitir la documentación apropiada de resultados de laboratorio.

Formato de línea [**Line Fo**] - Un formato de línea sencilla [**Single**] colocará todos los datos en una línea separando cada salida con una coma (,). El formato multilinea [**Multi .**] colocará cada salida de datos en una nueva línea. Multi +4 [**Multi-4LF**] agregará 4 espacios de línea entra cada salida.

^^^^^^^^^^^^^^^^^^^^^^^^^^^^^^^ User ID: Bal ID: 123456789 Proj ID: Time::..... Date:/...../..... 120.01 g ^^^^^^^^^^^^^^^^^^^^^^^^^^^^^^^	_____ Formato multilinea con 4 alimentaciones de línea _____ Alimentación de línea 2 _____ Alimentación de línea 3 _____ Alimentación de línea 4 _____ Nombre de usuario: GLP (ON) _____ Nombre de la balanza: ID de balanza (ON) _____ Nombre de proyecto: GLP (ON) _____ Hora: GLP (ON) _____ Fecha: GLP (ON) _____ Resultado
--	---

4.7 Menú del RS232 [**.RS232.**]

Baudios [**baud**] - La velocidad de baudios del RS232 puede establecerse en 600, 1200, 2400, 4800, 9600 y 19200.

Paridad [**Par ity**] - La paridad puede enviarse a una paridad de 7 bits par [**7 Even**], paridad de 7bits impar [**7 odd**], sin paridad de 7bits [**7 No**] o sin paridad de 8 bits [**8 No**].

Comunicación amiga [**HandSh**] - La comunicación amiga puede configurarse desactivada [**OFF**], X activada - X desactivada [**on-off**], o hardware [**Hardwdr**].

4.8 Menú de bloqueo [**.LOC.**]

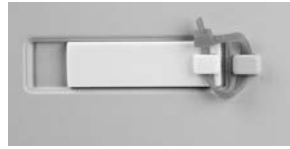
Cuando un elemento del menú de bloqueo está configurado en el menú indicado no puede cambiarse. [**Loc Cal**] - Calibración, [**Loc SEt**] - Configuración, [**Loc.MoD**] - Modo, [**Loc.Un it**] - Unidad, [**Loc Prt**] - Imprimir, [**Loc 232**] - RS232

4.9 Sellado del acceso a las configuraciones de la balanza

El interruptor de bloqueo del menú previene cambios al menú de bloqueo. El interruptor puede asegurarse con sellos de papel, sellos de alambre o cintas de plástico.



Desbloqueado



Bloqueado con cinta de plástico

5.0 MANTENIMIENTO

5.1 Identificación y solución de problemas

Síntoma	Causa posible	Solución
No enciende	No hay energía hacia la balanza	Verifique las conexiones y el voltaje
Falta de precisión	Calibración incorrecta Ambiente inestable	Calibre Cambie la balanza a un lugar apropiado
No puede calibrarse	Ambiente inestable Pesos de calibración incorrectos	Cambie la balanza a una ubicación apropiada Use pesos de calibración correctos
No puede ingresar al modo	Modo no habilitado	Ingrese al menú y habilite el modo
No puede ingresar en la unidad de medida	Unidades no habilitadas	Ingrese al menú y habilite las unidades
Err 5	Peso promedio de piezas demasiado pequeño	Agregar muestras adicionales
Err 7.0	Tiempo agotado	
Err 8.1	El plato fue cargado durante el encendido	Retire el peso que está sobre el plato y vuelva a poner en cero.
Err 8.2	El plato fue retirado antes del encendido	Instale el plato y vuelva a poner en cero
Err 8.3	El peso sobre el plato excede la capacidad	Retire el peso que está sobre el plato
Err 8.4	El plato fue retirado durante el pesaje	Reinstale el plato
Err 9.5	Datos de calibración de fábrica corrompidos	Comuníquese con el distribuidor autorizado
Err 9.8	Datos de calibración de fábrica corrompidos	Calibre
Error 53	Error de suma de control EEPROM	Comuníquese con el distribuidor autorizado
REF Err	El peso de referencia es demasiado pequeño	Agregar muestras adicionales
LOWREF	El peso de referencia es demasiado pequeño para el conteo de piezas preciso o pesaje de porcentaje	Agregue muestras adicionales o continúe pesando con resultados menos precisos

5.2 Información de servicio

Si la sección de identificación y solución de problemas no resuelve o describe su problema, comuníquese con su agente autorizado de servicio de Ohaus. Visite nuestra página web www.ohaus.com para encontrar la oficina Ohaus más cercana a usted.

5.3 Accesorios

Dispositivo de seguridad	76288-01	
Pantalla auxiliar	PAD7	
Paquete de determinación de densidades	80850045	(Sólo modelos de 0.1 mg y 1 mg)
Impresora – térmica	STP-103	
Impresora – matriz de puntos	CBM-910	
Cable - STP-103	80252581	
Cable - CBM-910	80252571	
Software de recopilación de datos	SW12	

6. DATOS TÉCNICOS

Condiciones ambientales - Los datos técnicos son válidos en las siguientes condiciones ambientales:

Temperatura ambiente: 10°C a 30°C

Humedad relativa: 15% a 80% a 31°C no condensante, disminuyendo linealmente al 50% a 40°C

Altura sobre el nivel del mar: Hasta 2000 m

La operabilidad se garantiza a temperaturas ambiente entre 5°C y 40°C

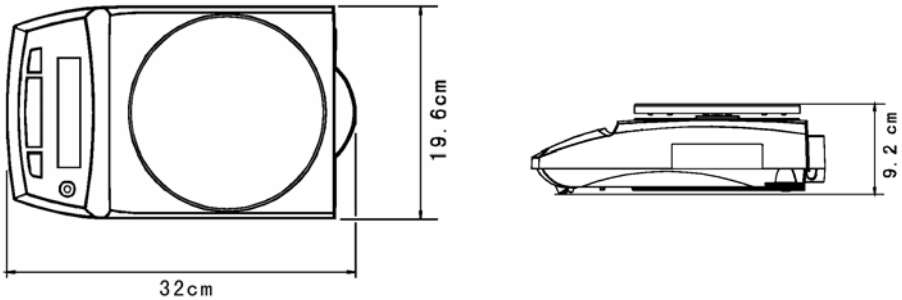
Energía - Adaptador de corriente alterna, alimentación eléctrica de la balanza de 8-14.5 VCA, 50/60Hz 4 VA o 8-20 VCC, 4 W

Protección - Protegida contra polvo y agua

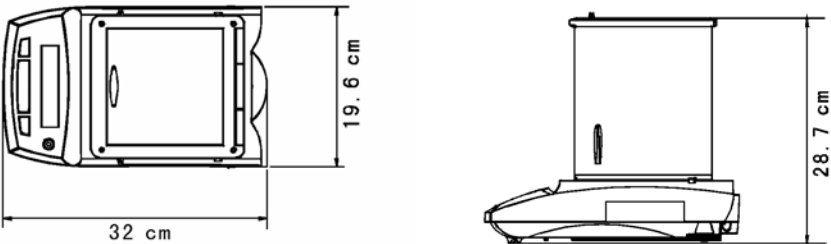
Grado de contaminación: 2 Categoría de instalación: Clase II

6.1 Dibujos

Modelos de 0.01g y 0.1g



Modelos de 0.0001g y 0.001g



6.2 Especificaciones

*C= Modelos InCal

MODELO	PA64*	PA114*	PA214*	PA153*	PA313*	PA512*	PA1502*	PA3102*	PA4101*
Capacidad (g)	65	110	210	151	310	510	1510	3100	4100
Capacidad de lectura (g)	0.0001			0.001			0.01		0.1
Repetibilidad (g)	0.0001(desv. estándar)			0.001ds			0.01(desv. estándar)		0.1ds
Linealidad (g)	±0.0002			±0.002			±0.02		±0.2
Rango de tara	A la capacidad mediante sustracción								
Estabilización	3 segundos								
Peso de calibración de extensión (g)	50 or 60	50 or 100	100 or 200	100 or 150	200 or 300	200 or 500	1000 or 1500	2000 or 3000	2000 or 4000
Pesos de calibración de linealidad (g)	20, 50	50, 100	100, 200	100, 150	200, 300	200, 500	1000, 1500	2000, 3000	2000, 4000
Diámetro del plato de pesaje	3.5" / 9 cm			4.7" / 12 cm			7.1" / 18 cm		
Peso neto	10.1lb / 4.6kg (*11.2lb / 5.2kg)					10lb/ 4.5kg (*11.1lb / 5.1kg)			

6.3 Comunicación

6.3.1 Señales

La interfaz RS232 permite que una computadora controle la balanza y que reciba datos como el peso mostrado. La balanza regresará "ES" para señales inválidas.

Señal	Función
IP	Imprime inmediatamente el peso mostrado.
P	Imprime el peso mostrado (usa la configuración del menú estable activado/desactivado).
CP	Impresión continua.
xP	Imprimir frecuencia x = Frecuencia de impresión (1-3600 s)
T	Igual que presionar la tecla cero.
ON	Enciende la balanza.
OFF	Apaga la balanza.
PSN	Muestra el número de serie.
PV	Versión: Imprime nombre del producto, número de revisión del software
PU	Imprime el modo/unidad actual
x#	Configura peso de referencia porcentual (x) en gramos.
P	Imprime el peso de referencia porcentual
x%	Configura el peso de referencia porcentual (x) en gramos.
P%	Imprime el peso de referencia porcentual

6.3.2 Conexiones de patillas de RS232 (DB9)

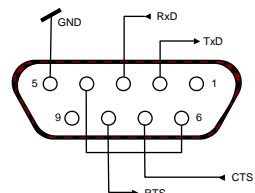
Patilla 2: Línea de transmisión de la balanza (TxD)

Patilla 3: Línea de recepción de la balanza (RxD)

Patilla 5: Señal de tierra (GND)




Patilla 7: Permitir para enviar (comunicación amiga de hardware) (CTS)

Patilla 8: Solicitar para enviar (comunicación amiga de hardware) (RTS)



6.4 Conformidad

La conformidad a los estándares siguientes es indicada por la marca correspondiente en el producto

Marca	Estándar
	Este producto se conforma con el EMC 2004/108/EC directivo y la baja tensión 2006/95/EC directivo. El declaración completo de la conformidad está disponible de Ohaus Corporation
	AS/NZS4251.1 Emission; AS/NZS4252.1 Immunity
	CAN/CSA-C22.2 No. 1010.1-92; UL Std. No. 3101-1

Registro ISO 9001

En 1994, Bureau Veritas Quality International (BVQI) le otorgó a Ohaus Corporation, EE.UU., un certificado de registro ISO 9001 el cual confirma que el sistema administrativo de calidad de Ohaus cumple con los requerimientos del estándar ISO 9001. En mayo 15 del 2003, Ohaus Corporation, EE.UU., fue registrada nuevamente al estándar ISO 9001:2000.

GARANTÍA LIMITADA

Los productos de Ohaus están garantizados contra defectos de materiales y fabricación desde la fecha de entrega y durante el tiempo que dure la garantía. Durante el periodo de garantía Ohaus reparará, o, a su discreción, reemplazará cualquier componente(s) que se compruebe que está defectuoso, sin costo alguno, con la condición de que el producto sea devuelto, flete pagado, a Ohaus.

Esta garantía no es válida si el producto ha sufrido daños por accidente o mal uso, expuesto a materiales radioactivos o corrosivos, presenta materiales extraños penetrando al interior del producto, o si ha sido objeto de modificaciones por parte de personas que no sean de Ohaus. En lugar de una tarjeta de registro de garantía devuelta debidamente, el periodo de garantía comenzará en la fecha de envío al distribuidor autorizado. Ohaus Corporation no otorga ninguna otra garantía expresa o implícita. Ohaus Corporation no se hace responsable de cualquier daño fortuito.

Puesto que la legislación sobre garantías difiere de un estado a otro así como de un país a otro, comuníquese con su distribuidor local de Ohaus para mayor información.

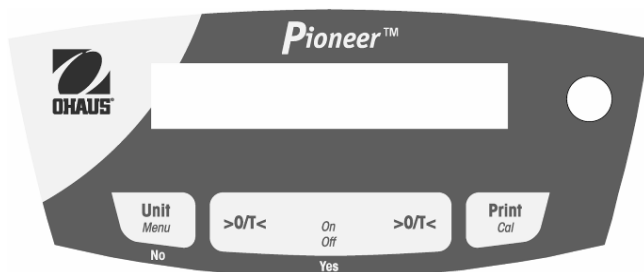
1. INTRODUCTION

1.1 Consignes de sécurité

Prière de respecter ces consignes de sécurité.

- Vérifiez que la tension d'entrée de l'adaptateur CA correspond à l'alimentation CA locale.
- N'utilisez la balance que dans des endroits secs.
- N'utilisez pas la balance dans des environnements hostiles.
- Ne faites pas tomber de charge sur la plate-forme.
- Ne positionnez pas la balance à l'envers sur la plate-forme ou le cône de montage de la plate-forme.
- Les réparations doivent être exécutées exclusivement par un personnel autorisé.

1.2 Commandes



Bouton : Fonctions :

O/T - On	Appuyez rapidement :	Active la balance, règle l'affichage sur zéro.
Off	Appuyez longtemps :	Désactive la balance
Yes	Appuyez rapidement (Menu) :	Sélectionne ou valide les paramètres
Unit	Appuyez rapidement :	Passer par les unités et les modes actifs
Menu	Appuyez longtemps :	Active Menu
No	Appuyez rapidement (Menu) :	Passer par les paramètres disponibles
	Appuyez longtemps (Menu) :	Permet de quitter le menu ou d'annuler une option du menu
Print	Appuyez rapidement :	Envoie des données
Cal	Appuyez longtemps :	Lance le calibrage de portée

2. INSTALLATION

2.1 Contenu de l'emballage

Modèles 0,1g et 0,01g

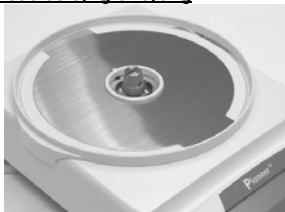
Guide de l'utilisateur
 Adaptateur alimentation
 Balance
 Plate-forme
 Support de plate-forme
 Anneau de coupe-vent (modèle InCal uniquement)
 Carte de garantie

Modèles 0,001g et 0,0001g

Guide de l'utilisateur
 Adaptateur alimentation
 Balance
 Plate-forme
 Portes en verre et panneaux
 Carte de garantie

2.2 Installation des composants

Modèles 0,1g et 0,01g



1) Installez le Anneau de coupe-vent (modèle InCal uniquement)



2) Installez le support de la plate-forme

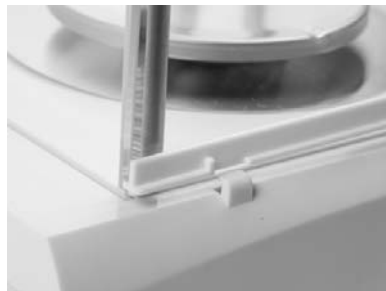


3) Installez la plate-forme

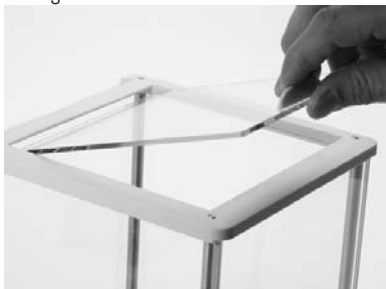
Modèles 0,001g et 0,0001g



1) Installez les portes latérales – Introduisez entièrement dans le cadre supérieur et faites glisser vers le bas par-dessus le dispositif de retenue.



2) Installez les panneaux avant et arrière – Introduisez le bord inférieur dans la rainure et appuyez jusqu'au blocage.



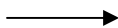
3) Installez la porte supérieure



4) Installez la plate-forme

2.3 Mise à niveau de la balance

Mettez la balance à niveau sur une surface solide et stable. Évitez les emplacements avec courant d'air, vibrations, sources de chaleur excessifs ou changements de température brusques.



2.4 Branchement



À utiliser uniquement avec un bloc d'alimentation agréé CSA (ou équivalent) qui doit être muni d'une sortie de circuit

2.5 Calibrage initial

Sans InCal – Mettez la balance en marche en appuyant sur **O/T**. Appuyez sur **Print/Cal** que vous maintenez enfoncé jusqu'à ce que le message **[CAL]** s'affiche. La masse de calibration requise clignote à l'écran. Pour sélectionner le poids du calibrage alternatif, appuyez sur **No**. Placez la masse de calibration sur la plate-forme. Le message **[BUSY]** clignote à l'écran puis **[CLEAR PRN]**. Enlevez la masse. Une fois le calibrage terminé, le message **[DONE]** s'affiche.

InCal – Appuyez sur **Print/Cal** que vous maintenez enfoncé jusqu'à ce que le message **[CAL]** s'affiche. Le message **[BUSY]** clignote. Une fois le calibrage terminé, le message **[DONE]** s'affiche.
Remarque : Effectuer les calibrages après avoir laissé la balance se réchauffer pendant 60 minutes.

3. OPÉRATION

Les options Count (Comptage), Percentage (Pourcentage) ou les unités de mesure spécifiques doivent être activées dans les menus MODE ou UNIT si elles ne sont pas disponibles.

3.1 Mode de pesée

Appuyez sur **Unit** plusieurs fois jusqu'à ce que l'icône de l'unité souhaitée s'affiche.
Appuyez sur **O/T** pour mettre à zéro la balance et placez ensuite les objets à peser sur la plate-forme.

3.2 Count Mode

– Utilisez le mode de comptage pour compter les pièces d'un poids uniforme.
Pour accéder au mode de comptage, appuyez sur Unit que vous maintenez enfoncé jusqu'à ce que l'option **[Count]** s'affiche.

Establish an Average Piece Weight (APW) - Chaque fois qu'un nouveau type de pièce doit être compté, le poids nominal d'une pièce (poids moyen des pièces) doit être établi à l'aide d'une petite quantité de pièces. Lorsque le message **[CLR.APW]** s'affiche, appuyez sur **No** pour utiliser l'APW enregistré précédemment ou sur **Yes** pour établir un nouvel APW. L'écran indique le nombre de pièces à utiliser pour établir le nouvel APW. Si vous préférez une autre taille d'échantillon, appuyez sur **No** jusqu'à ce que la taille d'échantillon souhaitée (5, 10, 20, 50 ou 100) s'affiche. Placez le nombre indiqué de pièces sur la plate-forme. Appuyez sur **Yes** pour

accepter le nouvel APW ou sur **No** pour annuler.

Count - Placez la quantité à compter sur la plate-forme.

APW Optimization - Dans la mesure où le poids de chacune des pièces varie légèrement, l'option APW Optimization peut être utilisée pour augmenter la précision du comptage. La balance recalcule automatiquement le poids moyen des pièces lorsque le nombre de pièces sur la plate-forme est moins que trois fois la taille de l'échantillon d'origine. Le message [**APW.OPT**] s'affiche chaque fois que APW est optimisé.

3.3 Percent Mode - Activez ce mode pour mesurer le poids d'un échantillon comme le pourcentage d'un poids de référence.

Pour accéder au mode de pourcentage, appuyez sur Unit jusqu'à ce que l'option [**PERCENT**] s'affiche.

Établir un nouveau poids de référence – Lorsque le message [**CLREF**] s'affiche, appuyez sur **No** pour utiliser les poids de référence enregistrés précédemment. Appuyez sur **Yes** pour établir un nouveau poids de référence. Placez l'échantillon de référence sur la plate-forme et appuyez sur **Yes** pour accepter ou sur **No** pour annuler.

Percent - Placez le ou les objets à comparer au poids de référence sur la plate-forme.

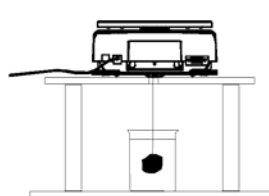
3.4 Pesée sous la balance



Enlevez le couvercle pour la pesée sous la balance



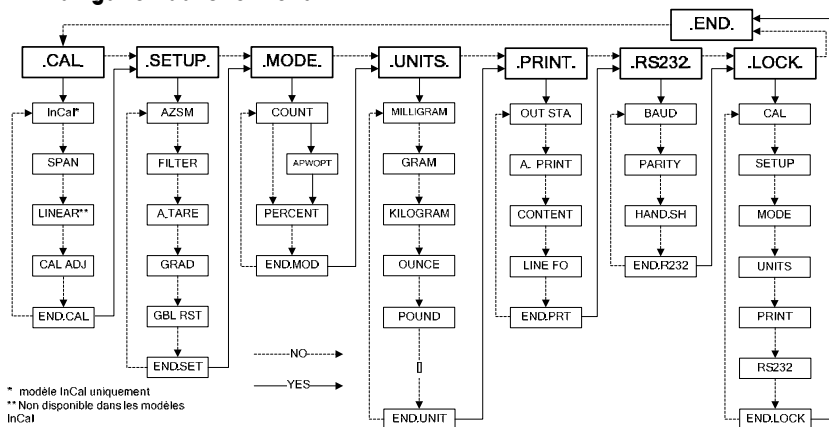
Attachez le fil ou la chaîne au crochet



Suspendez l'échantillon

4. PARAMÉTRAGE

4.1 Navigation dans le menu



ACTIVER LE MENU – Lorsque la balance est activée, appuyez sur **Unit/Menu** jusqu'à ce que [**MEAU**] s'affiche à l'écran. Relâchez le bouton et le menu de calibration [**.CAL.**] s'affiche.

NAVIGATION DANS LE MENU – Sélectionnez les menus, les options de menu et les réglages via les boutons **Yes** et **No**. Les flèches pleines pointent vers le contenu affiché lorsque vous appuyez sur **Yes** et les lignes

pointillées lorsque vous appuyez sur **No**.

CHANGER LE PARAMÉTRAGE - Pour sélectionner le paramètre affiché, appuyez sur **Yes**. Pour passer au paramètre suivant, appuyez sur **No**.

QUITTER LE MENU - Lorsque le message [**End.**] s'affiche, appuyez sur **Yes** pour quitter la fonction du menu ou sur **No** pour revenir au menu de calibrage. Remarque : Appuyez sur **No** que vous maintenez enfoncé chaque fois que vous voulez quitter rapidement.

4.2 Menu de calibrage [**.CAL.**]

Les fonctions InCal ou de calibrage de portée doivent être effectuées quotidiennement et lorsque la température ambiante change.

La fonction InCal [**InCAL**] permet d'étalonner la balance à l'aide d'une masse interne.

La fonction de calibrage de portée [**SPAN**] se sert de deux valeurs de poids: zéro et un poids entre 50 et 100 % de la capacité de la balance.

La fonction de calibrage de linéarité [**LI IN**] se sert de trois valeurs de poids : zéro, 50% de la capacité et la capacité totale. Ce calibrage n'est en principe pas nécessaire à moins que le test n'indique que l'erreur de linéarité dépasse la tolérance de linéarité dans le tableau des spécifications. (Non disponible dans les modèles InCal)

Réglage de calibrage [**CAL Adj**] La fonction Calibration Adjust (Réglage de calibrage) peut être utilisée pour régler le résultat d'un calibrage interne de ± 99 divisions. (modèles InCal)

4.3 Menu de configuration [**.SETUP.**]

Paramètre automatique de zéro [**AZSM**] - Les changements environnementaux peuvent entraîner des décalages d'affichage. Le mécanisme de paramétrage à zéro automatique (AZSM) est destiné à maintenir la balance définie sur zéro en dépit de ces légers changements. (SET 0, SET .5d, SET 1d, SET 2d, SET 3d)

Filtre [**F.L.F.R.**] - Utilisez le paramètre bas (SET LOW) en l'absence de perturbations environnementales. Utilisez le paramètre moyen (SET MED) pour des environnements normaux. Utilisez le paramètre élevé (SET HI) en présence de vibrations ou de courants d'air.

Tare automatique [**A-TARE**] - L'article initial placé sur la balance est supposé être un conteneur et doit en conséquence être mis à zéro. Le poids de l'article suivant s'affiche ensuite. Une fois la plate-forme vidée, la balance est réinitialisée attendant un conteneur. (SET OFF, SET ON)

Grad [**GrAd**] - Sélectionnez la précision affichée. La réduction de la précision peut requise pour approbation. (SET 1d, SET [1]d, SET10d)

Réinitialisation globale [**Gbl rSt**] - Cette option permet de restaurer les valeurs par défaut. (NO, YES)

4.4 Menu Mode [**.MODE.**]

Mode de comptage [**Count**] - [SET ON, SET OFF]

Optimisation du poids moyen des pièces (APW) [**APW.OP1**] - [SET ON, SET OFF]

Mode de pourcentage [**PERCENT**] - [SET ON, SET OFF]

4.5 Menu des unités [**.UNITS.**]

Le menu des unités permet d'activer ou de désactiver une unité spécifique. (SET ON, SET OFF) L'unité est indiquée par un petit caractère adjacent à Unit sur l'écran (g = grams). Le paramètre Grams est activé par défaut et toutes les autres unités sont désactivées.

T-Units - Lorsque l'unité [t] s'affiche, appuyez sur Yes pour afficher les paramètres T-Unit ; SET OFF, SET TT (Taiwan Tael), SET TH (Hong Kong Tael), SET TS (Singapore Tael), SET TO (Tola) ou SET TI (Tical).

M-Units - Lorsque l'unité [m] s'affiche, appuyez sur Yes pour afficher le paramètre M-Unit ; SET OFF, SET MO (Momme) ou SET ME (Mesghal).

Unité personnalisée - L'unité personnalisée (c) permet de créer une unité de mesure non fournie avec la balance. Vous personnalisez l'unité à l'aide d'un facteur de conversion, d'un multiplicateur (E) et d'un chiffre le moins significatif (LSD). La balance se sert de cette formule pour convertir les grammes en une unité de mesure personnalisée. (Exemple: 1 g = 0.257206 Avoirdupois Dram, 4100g x 0.01g balance)

Pour créer une unité personnalisée, appuyez sur Yes lorsque le message Unif [c] s'affiche.

4.8 Menu de verrouillage [LOC.]

Lorsqu'une option du menu de verrouillage est activée, le menu indiqué n'est plus modifiable.

[Loc CAL] - Calibrage, [Loc SEt] - Configuration, [Loc Mod] - Mode, [Loc Unit] - Unité,

[Loc Prt] - Imprimer, [Loc RS2] - RS232

4.9 Protection des paramètres de la balance par apposition d'un sceau

Le commutateur de verrouillage de menu permet d'empêcher tout changement à un menu verrouillé. Le commutateur peut être sécurisé à l'aide de sceaux en papier, à fil ou à l'aide d'attaches en plastique.



Déverrouillé



Verrouillé avec attache en plastique

5.0 MAINTENANCE

5.1 Dépannage

Symptôme	Cause possible	Solution
Mise sous tension impossible	La balance n'est pas alimentée	Vérifier la connexion et la tension.
Précision de qualité médiocre	Calibrage incorrect Environnement instable	Effectuer le calibrage Déplacer la balance vers un emplacement approprié
Impossible de calibrer	Environnement instable Poids de calibrage incorrect.	Déplacer la balance vers l'emplacement approprié Utiliser le poids de calibrage approprié
Impossible d'accéder au mode	Mode non activé	Activer le menu, puis le mode
Impossible d'accéder à l'unité	Unités non activées	Activer le menu, puis les unités
Err 5	Poids moyen des pièces trop petit.	Ajouter d'autres échantillons
Err 7.0	Délais dépassés	
Err 8.1	Une charge est sur la plate-forme pendant la mise sous tension	Enlever le poids de la plate-forme et remettre la balance à zéro.
Err 8.2	La plate-forme a été enlevée avant la mise en marche	Installer la plate-forme et remettre la balance à zéro.
Err 8.3	Le poids sur la plate-forme dépasse la capacité	Enlever le poids de la plate-forme
Err 8.4	La plate-forme a été enlevée pendant un pesage	Réinstaller la plate-forme
Err 9.5	Données de calibrage par défaut corrompues	Contacteur le revendeur agréé
Err 9.8	Données de calibrage par défaut corrompues	Effectuer le calibrage
Err 53	Erreur de somme de contrôle EEPROM	Contacteur le revendeur agréé
REF Err	Poids de référence trop petit	Ajouter d'autres échantillons
LOWREF	Le poids de référence est trop petit pour un comptage précis des pièces ou un pesage en pourcentage	Ajouter d'autres échantillons ou continuez à peser en risquant de compromettre la précision des résultats.

5.2 Informations sur le service

Si la section de dépannage ne vous aide pas à résoudre votre problème ou ne le décrit pas, contactez un technicien agréé Ohaus. Visitez le site Web à l'adresse suivante : www.ohaus.com pour localiser le bureau Ohaus le plus près de chez vous.

5.3 Accessoires

Dispositif de sécurité	76288-01
Affichage auxiliaire	PAD7
Kit détermination de densité	80850045 (uniquement pour modèles 0,1mg et 1mg)
Imprimante - thermique	STP-103
Imprimante - impact	CBM-910
Câble - STP-103	80252581
Câble - CBM-910	80252571
Logiciel de recueil des données	SW12

6. DONNÉES TECHNIQUES

Conditions ambiantes - Les données techniques sont valides dans les conditions ambiantes suivantes :

Température ambiante : entre 10 et 30 °C

Humidité relative : 15 à 80% à 31°C sans condensation, réduction linéaire jusqu'à 50% à 40°C

Hauteur au-dessus du niveau de la mer : Jusqu'à 2 000 m

L'exploitation est garantie à des températures ambiantes entre 5 et 40 C

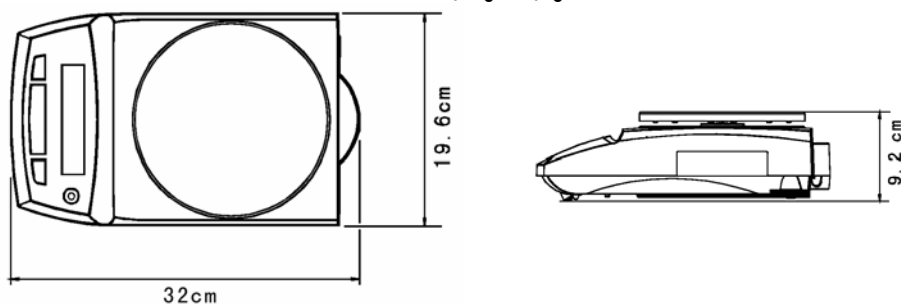
Alimentation – Adaptateur CA, entrée d'alimentation de la balance 8-14,5VCA, 50/60Hz 4VA ou 8-20VCC, 4W

Protection - Protégé contre la poussière et l'eau

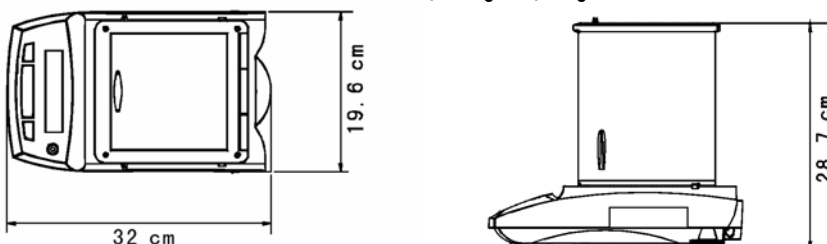
Degrés de pollution : 2 Catégorie d'installation : Classe II

6.1 Schémas

Modèles 0,01g et 0,1g



Modèles 0,0001g et 0,001g



6.2 Spécifications

* C = Modèles InCal

MODÈLE	PA64*	PA114*	PA214*	PA153*	PA313*	PA512*	PA1502*	PA3102*	PA4101*
Capacité (g)	65	110	210	151	310	510	1510	3100	4100
Précision d'affichage	0,0001g			0,001g		0,01g			0,1g
Reproductibilité(g)	0.0001 (écart type)			0,001 (et)		0,01 (écart type)			0,1 (et)
Linéarité (g)	±0,0002			±0,002		±0,02			±0,2
Plage de tare	À la capacité par soustraction								
Stabilisation	3 secondes								
Masse calibrage portée (g)	50 ou 60	50 ou 100	100 ou 200	100 ou 150	200 ou 300	200 ou 500	1000 ou 1500	2000 ou 3000	2000 ou 4000
Masses cal. lin.(g)	20, 50	50, 100	100, 200	100, 150	200, 300	200, 500	1000, 1500	2000, 3000	2000, 4000
Diamètre plate-forme	3,5 po / 9 cm			4,7 po / 12 cm		7, 1 po / 18 cm			
Poids net	10,1 lb / 4,6 kg					10 lb/ 4,5 kg			

6.3 Communication

6.3.1 Commandes

L'interface RS232 permet à un ordinateur de contrôler la balance ainsi que de recevoir des données telles que le poids affiché. La balance affiche ES pour les commandes non valides.

Commande	Fonction
IP	Impression immédiate du poids affiché.
P	Impression du poids affiché (se sert du paramètre activation/désactivation stabilité).
CP	Impression continue.
xP	Impression par intervalle x = Intervalle d'impression (1 à 3600 secondes)
T	Revient à appuyer sur la touche Zéro.
ON	Active la balance.
OFF	Désactive la balance.
PSN	Affichage du numéro de série.
PV	Version : impression du nom du produit, version logicielle
PU	Impression mode/unité actuels
x#	Définit le poids de référence de comptage des pièces (x) en grammes.
P#	Impression du poids de référence de comptage des pièces
x%	Définit le poids de référence en pourcentage (x) en grammes.
P%	Impression du poids de référence en pourcentage

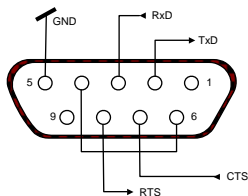
Broche 2: Ligne transmission de balance (TxD)

Broche 3: Ligne réception de balance (RxD)

Broche 5 Signal de masse (GND)




Broche 7: Envoi possible (établissement de liaison matérielle) (CTS)

Broche 8: Demande d'envoi (établissement de liaison matérielle) (RTS)



6.4 Conformité

La conformité aux normes suivantes est indiquée par la marque correspondante sur le produit

Marque	Norme
	Ce produit se conforme à l'EMC 2004/108/EC directif et la basse tension 2006/95/EC directif. La déclaration complète de la conformité est fournie par Ohaus Corporation.
	AS/NZS4251.1 Emission; AS/NZS4252.1 Immunity
	CAN/CSA-C22.2 No. 1010.1-92; UL Std. No. 3101-1

Enregistrement ISO 9001

En 1994, le Bureau Veritus Quality International (BVQI) a octroyé la certification d'enregistrement ISO 9001 à Ohaus Corporation, États-Unis d'Amérique, confirmant que le système de gestion de la qualité Ohaus était conforme aux conditions normalisées de l'ISO 9001. Le 15 mai 2003, Ohaus Corporation, États-Unis d'Amérique, a été ré-enregistrée à la norme ISO 9001:2000.

Cet appareil numérique de la classe A est conforme à la norme NMB-003 du Canada.

GARANTIE LIMITÉE

Ohaus garantit que ses produits sont exempts de défauts matériels et de fabrication à compter de la date de livraison pendant toute la durée de la garantie. Selon les termes de cette garantie, Ohaus s'engage, sans frais de votre part, à réparer ou, selon son choix, remplacer toutes les pièces déterminées défectueuses, sous réserve que le produit soit retourné, frais payés d'avance, à Ohaus.

Cette garantie n'entre pas en vigueur si le produit a subi des dommages suite à un accident ou une utilisation erronée, a été exposé à des matériaux radioactifs ou corrosifs, contient des matériaux étrangers ayant pénétré à l'intérieur ou suite à un service ou une modification apportée par des techniciens autres que ceux d'Ohaus. En l'absence d'une carte d'enregistrement de garantie dûment remplie, la période de garantie commence à la date de l'expédition au revendeur agréé. Aucune autre garantie expresse ou implicite n'est offerte par Ohaus Corporation. En aucun cas, Ohaus Corporation ne peut être tenu responsable des dommages indirects.

Dans la mesure où les lois régissant les garanties varient d'un État à l'autre et d'un pays à l'autre, veuillez contacter Ohaus ou votre représentant local agréé Ohaus pour de plus amples informations.



Ohaus Corporation
19A Chapin Road
P.O. Box 2033
Pine Brook, NJ 07058, USA
Tel: (973) 377-9000
Fax: (973) 593-0359

With offices worldwide / Con oficinas alrededor del mundo / Avec des bureaux dans le monde entier / Weltweite Geschäftsstellen / Con uffici in tutto il mondo.

www.ohaus.com



* 8 0 2 5 1 6 1 9 *

PN 80251619A © Ohaus Corporation 2006, all rights reserved / todos los derechos reservados / tous droits reserves.

Printed in China / Impreso en la China / Imprimé en Chine